

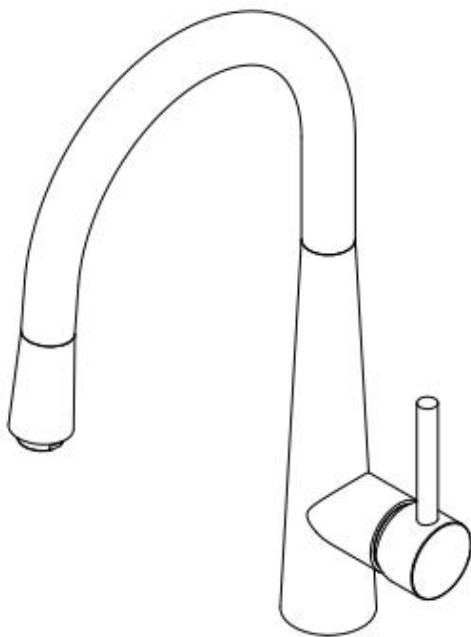
# USER MANUAL



Thank you for choosing Better Bathrooms.  
Please read this manual before installing your product  
and keep for future reference.

**better**   
**bathrooms**

## Product name Kitchen Taps/OLNSLCHRPO/OLNSLMBRPO



- **Single -person assembly**
- **Tools required**
- **We always recommend using professional tradespeople to install your product**

V1.03.14.23

## Important information

- Please read these instructions thoroughly and retain for future reference
- Pressures should meet minimum stated on the website
- Pressures must be balanced for optimum performance
- Always check for pipes and cables before drilling

## Water Pressure:

We recommend a minimum water pressure of 1Bar and a maximum of 5 Bar to ensure efficient operation of your product.

## Flow rate:

1 (bar)	2 (bar)	3 (bar)
5.4 L/M	7.8 L/M	9.6L/M

## Installation Guide

*Follow these instructions before fitting the tap detailed in this guide.*

**Prior to installation, please check that your plumbing system is adequate and that all pipes have been sufficiently flushed through.**

**The installer should open supply pipes in the house and empty the water into a bucket to clear any debris before the tap is fitted.**

1. Turn off the mains cold water supply. The mains stopcock is usually found where the supply enters the building.
2. It is also recommend that any hot water heating systems are turned off.
3. Drain the hot and cold water systems. To ensure complete drainage, open all taps.
4. Position the tap over the hole, ensuring the rubber seal is positioned properly between the tap body and the sink. Or in the case that the product includes a base plate ensuring the rubber seal is between the base plate and the sink. Put the plastic triangle knot at the bottom of the hole.

5. Using the fixing nut(s) supplied, screw the short threaded bar(s) into the hole(s) on the underneath of the body.

6. Next, screw the three flexi tails in to each of the other holes (ensure these are screwed in firmly). Please make sure the threaded bar(s) are fully through sink hole. **Please also note the connector has linked correctly, the cold supply must be on the right and hot supply on the left.** **Please** note that the flexi-tails should not be tightened using a spanner, as this can damage the O ring.

7. Remove the screws from the hose weight, the weight will then separate into two sections. Place the spout hose between the two sections of the weight, locating this so that the hose can be extended and retracted, connect the two sections and secure using the two screws

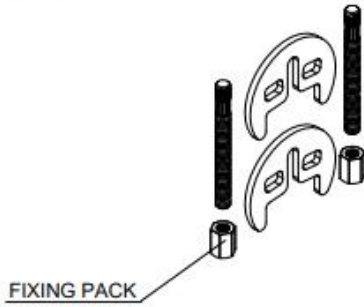
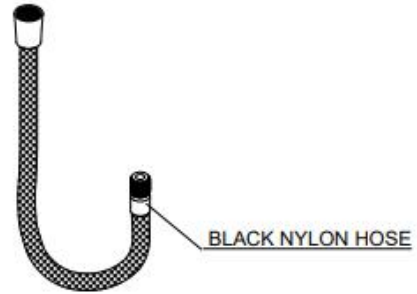
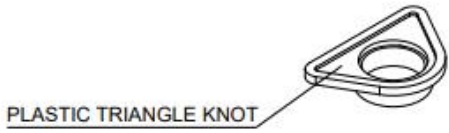
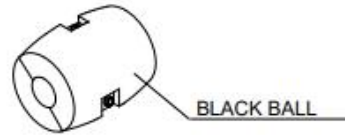
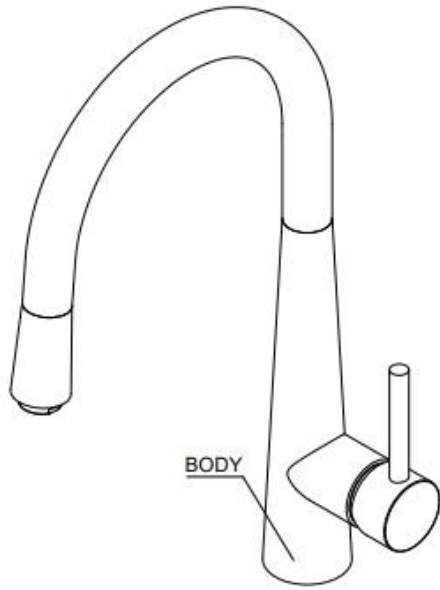
8. To comply with water regulations, isolating valves should be fitted in the

pipe work beneath the tap. This enables each supply to be independently isolated which makes it easier to service and /or remove the tap. Isolation valves" are not supplied

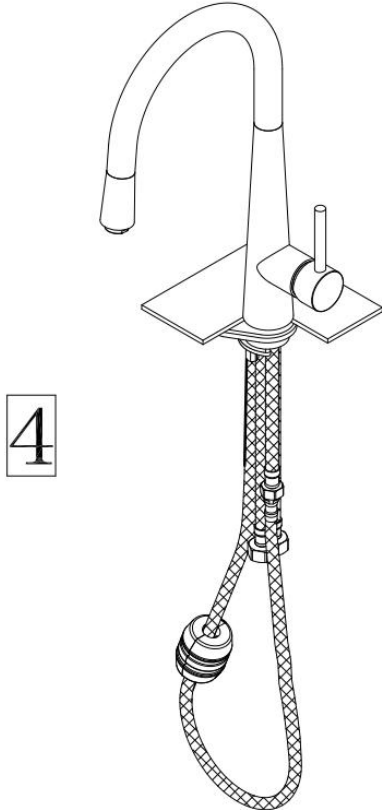
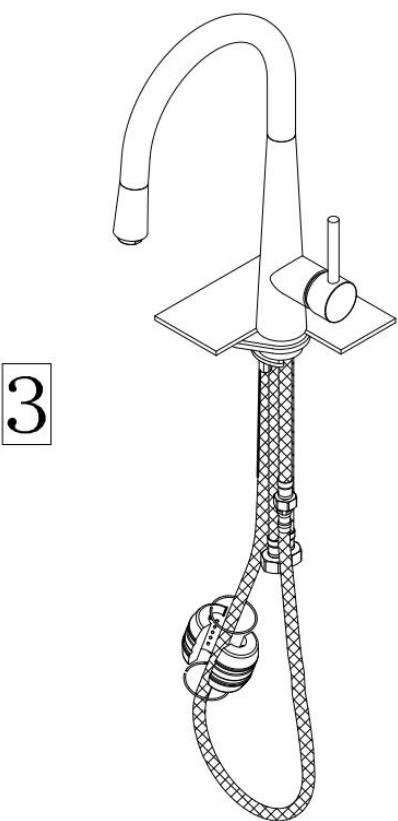
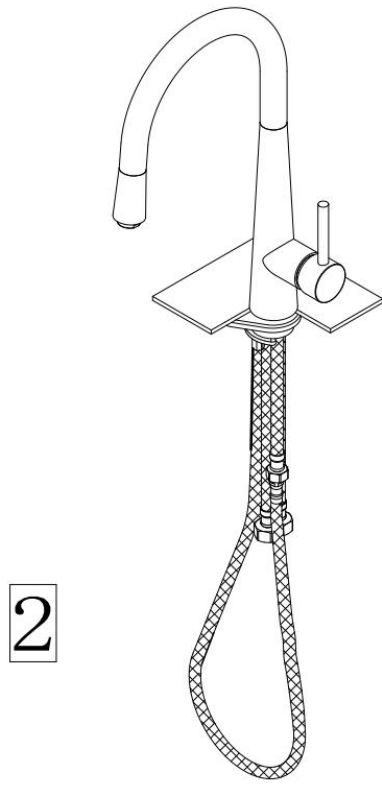
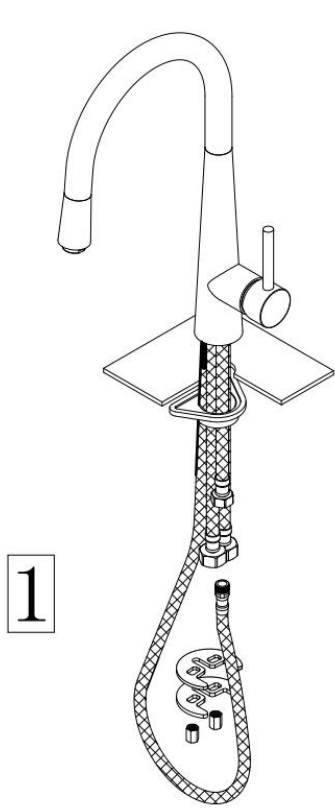
Once all the connections are made, the mains water supply can be turned back on and the system refilled.

9. Now check for any leaks. All water heating systems may now be turned on.

## Diagrams



## Installation Step



## Troubleshooter Guide

Tap dripping for short period after closure : This is normal as the spout is emptying

Tap dripping continually : Turn off the water supply, remove the flow control valve and clean and check internal seat for debris

No water coming through : Check pipes and inside of mixer for blockages

Water not mixing: Pressures should be balanced or the higher pressure will restrict the lower

Valves become stiff : remove valves and clean out debris

## Cleaning

To maintain the surface finish of your product, wipe clean regularly, using a clean damp cloth and dry cloth to polish. Do not use abrasive cleaning agents or materials on the product surface as you may invalidate your guarantee. Should any harsh chemicals come into contact with the surface of the product during bathroom cleaning, rinse off immediately, wipe clean and dry.

### ***For more information***

- visit [betterbathrooms.com](http://betterbathrooms.com)
- email [customerservices@buyitdirect.co.uk](mailto:customerservices@buyitdirect.co.uk)
- call 0330 390 3062
- write to Trident Business Park, Neptune Way, Huddersfield, HD2 1UA

**better**   
**bathrooms**

Part of the BuyItDirect Group